

4 Inch Encapsulated Submersible Motor

APPLICATIONS:

These motors are built for dependable operation in 4 inch diameter or larger water wells.

BASIC FEATURES:

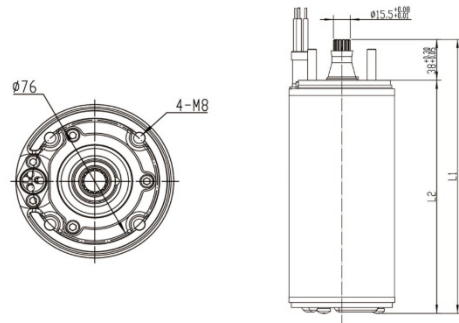
- Corrosion-resistant stainless steel exterior.
- Stainless steel splined shaft.
- Hermetically-sealed windings.
- Anti-track self-healing resin system.
- Filter check valve.
- Water lubrication.
- Thrust bearing.
- Pressure-equalizing diaphragm.
- Built-in lightning arrestors (all single-phase; 200&230V three-phase).
- Removable water bloc lead (Plug-in Type Lead Cable)
- Large Starting up Torque
- Control boxes available for single-phase motors

Motor Standard:

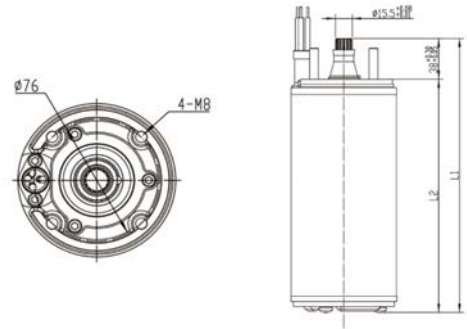
- ◆ Connection Mode: 4" NEMA Standard.
- ◆ Protection: IP68
- ◆ Insulation Grade: F
- ◆ Max. Starting Times: 30 times/h
- ◆ Max. Ambient Temperature: 35°C
- ◆ Cable Wire Specification: XHHW-2AWG14
- ◆ Mini. Cooling Flow: 0.08m³/s
- ◆ Starting Mode: direct starting
- ◆ PH Valve: 6.5-8.0
- ◆ Mounting Mode: Vertical/Tilt (Customizable Horizontal Installation)

Size:

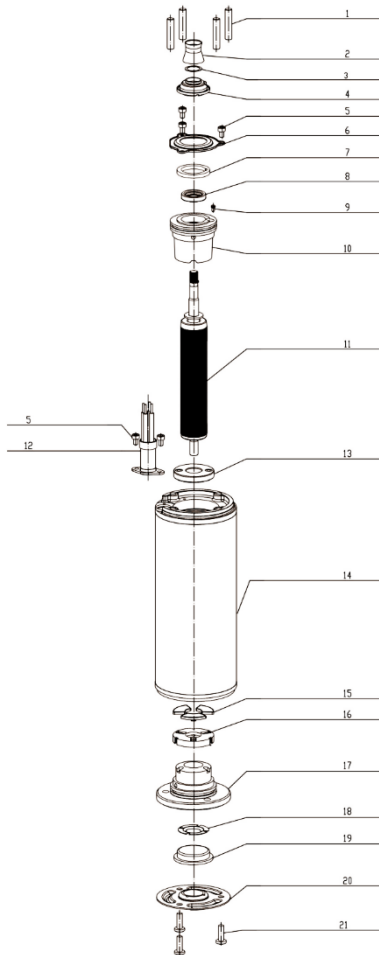
Model	Power (hp)	L1	L2	Weight
	HP	mm	mm	kgs
Single Phase	0.5	264	226	7.2
	0.75	289	251	8.3
	1	309	271	9.2
	1.5	344	306	10.8
	2	399	361	13.2
	3	459	421	15.8



Model	Power (hp)	L1	L2	Weight
	HP	mm	mm	kgs
Tri-phase	0.5	254	216	6.8
	0.75	274	236	7.6
	1	299	261	8.8
	1.5	324	286	9.8
	2	369	331	11.8
	3	414	376	14
	4	544	506	19
	5.5	609	571	22
	7.5	709	671	26
10	844	806	32	



Parts Lists and Diagram



Part No.	Description	Materials
1	Thread Rod	SS304
2	Standing Ring	Rubber
3	Spacer	SS304
4	Standing Ring Seat	POM
5	Screw	SS304
6	Upper Cover Plate	SS304
7	Cotton Filter	Foam Cotton
8	Lip Type Seal Ring	Rubber
9	Check Valve	SS304/Rubber
10	Upper Axial Bearing	Cast Iron/Graphite
11	Rotor	Carbon Steel/303
12	Plug-in Cable	SS304/Ethoxyline Resin/Copper
13	Thrust Bearing	Graphite
14	Stator	Copper
15	Thrust Bearing Shoe Valve	Powder Metallurgy
16	Balance Board	Powder Metallurgy
17	Lower Bearing	Cast Iron/Graphite
18	Spacer	SS304
19	Constant Pressure Diaphragm	Rubber
20	Lower Cover	SS304
21	Bolts	SS304

Technical Specification for Single Phase Motor:

Power		In	Speed	Efficiency	Cos ϕ	Torq.	Ka	Size	Weight
kW	Hp	Amp.	rpm	% η		N. M	N	mm	kg
0.37	0.50	2.67	2850	63	0.99	1.3	3500	Dia. 94X264	7.2
0.55	0.75	3.8	2850	65.7	0.99	1.9	3500	Dia. 94X289	8.3
0.75	1.00	5.05	2850	67.5	0.99	2.5	3500	Dia. 94X309	9.2
1.10	1.50	7.3	2850	68.5	0.99	3.8	3500	Dia. 94X344	10.8
1.50	2.00	9.67	2850	70.7	0.99	5.1	4000	Dia. 94X399	13.2
2.20	3.00	14.1	2850	71.1	0.99	7.5	4000	Dia. 94X459	15.8

Technical Specification for Three Phase Motor:

Power		In	Speed	Efficiency	Cos ϕ	Torq.	Ka	Length	Weight
kW	Hp	Amp.	rpm	% η		N. M	N	mm	kg
0.37	0.50	1.16	2850	69.8	0.69	1.8	6800	Dia. 94X254	6.8
0.55	0.75	1.61	2850	70	0.74	2.5	6800	Dia. 94X274	7.6
0.75	1.00	2.17	2850	71.6	0.73	3.5	6800	Dia. 94X299	8.8
1.10	1.50	3.05	2850	72.4	0.75	5	6800	Dia. 94X324	9.8
1.50	2.00	4.05	2850	74.5	0.75	6.8	6800	Dia. 94X369	11.8
2.20	3.00	5.98	2850	76.5	0.73	10.3	6800	Dia. 94X414	14
3.00	4.00	7.18	2850	76.9	0.83	12.3	6800	Dia. 94X544	19
4.00	5.50	9.69	2850	76.5	0.82	16.5	6800	Dia. 94X609	22
5.50	7.50	13.11	2850	77.1	0.82	22.5	6800	Dia. 94X709	26
7.50	10.00	17.7	2850	77.4	0.83	30.5	6800	Dia. 94X844	32